

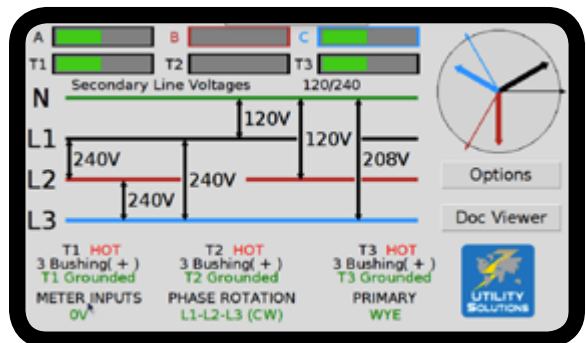
## Load-Trainer II Transformer Simulator



The Load-Trainer II Transformer Simulator is a portable 3-phase trainer. The unique tactile interface offers an **immersive learning environment** for all levels of line-workers and utility personnel.

The unit includes color coded patch cords and a 7" interactive touch screen to combine a physical wiring environment with a computer controlled simulation. Users apply jumpers between source lines, transformers and a secondary system. When the 'TEST' button is pressed the simulator displays **phase-to-phase voltages, phase-to-neutral voltages, phase angles, load** and other key information based on the users wiring in real-time.

Key principles and concepts of electrical distribution systems can be demonstrated: **Wye, Delta, Polarity, Phase Rotation and Phase Angles.** Trainers can even introduce faults on both the primary and



secondary, modify **phase orientation**, explore multiple secondary voltages and different transformer settings. It simulates **back-feeding** and reduced capacity services so users learn and practice **real-world troubleshooting**.



The Load-Trainer II Transformer Simulator is 27.5" wide x 19" tall x 3.5" deep and weighs just 16 pounds. It is constructed on a rugged polymer frame and includes built in legs that fold for easy transport. It is powered by standard 120V AC and includes a **cordless mouse**



and **HDMI output** for connecting a **monitor or projector**. The soft case includes padded corners and a pouch for accessories. The hard case includes heavy duty foam, storage area, and a spring loaded handle.

Take training beyond the text book with the Load-Trainer II Transformer Simulator from Utility Solutions, Inc.



**HOW TO ORDER**

ITEM NUMBER	DESCRIPTION
<b>XFMR-001</b>	LOAD-TRAINER II TRANSFORMER SIMULATOR
<b>XFMR-001-LEADSET</b>	EXTRA SET OF COLOR CODED PATCH CORDS
<b>-S</b>	SOFTCASE
<b>-H</b>	HARDCASE